



# Tusken Chief Staff

Created by Ruiz Brothers



<https://learn.adafruit.com/tusken-chief-staff>

Last updated on 2022-12-01 04:09:59 PM EST

# Table of Contents

**Overview** 3

---

- [DIY Props](#)
- [3D Printed Parts](#)

**3D Printing** 4

---

- [CAD Assembly](#)
- [CAD Parts List](#)
- [Slicing Parts](#)
- [Build Volume](#)
- [Silver/Gray Parts](#)
- [Brown/Red Parts](#)

---

# Overview



## DIY Props

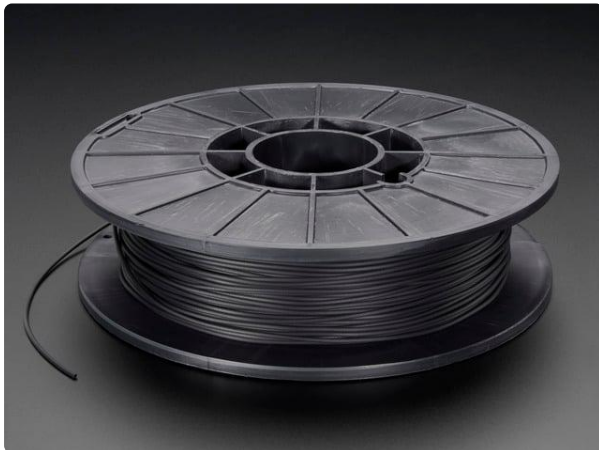
Make a fully 3d printed prop inspired by Star Wars: The Book of Boba Fett. This prop is inspired by Tusken Raiders chief staff.

Each part is printed in a different colored filament, so they're ready to go right off the printer.



## 3D Printed Parts

Each piece features threaded connectors so it's really easy to assemble and take it apart. They can be printed without any supports and don't need any screws or glue.



### [NinjaFlex - 1.75mm Diameter - Midnight Black - 0.5Kg](#)

Looking beyond ABS? Tired of PLA? Open a world of possibilities, limited only by your imagination. NinjaFlex, a cutting-edge filament for 3D printers, is a specially formulated...

<https://www.adafruit.com/product/1690>

---

## 3D Printing



### CAD Assembly

All of the parts feature threaded connectors on the ends. Follow the photos and cad assembly to reference how the pieces fit together.

[Download CAD source](#)

Download STLs.zip

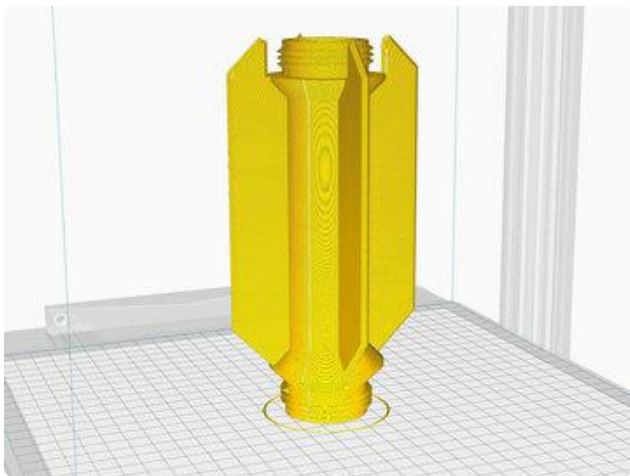


## CAD Parts List

STL files for 3D printing are oriented to print "as-is" on FDM style machines. Parts are designed to 3D print without any support material. Original design source may be downloaded using the links below:

handle.stl  
pipe-coupler.stl  
pipe-fins-bottom.stl  
pipe-fins-collar.stl  
pipe-fins-tip.stl  
pipe-fins-top.stl  
4x pipe.stl  
pommel.stl

Make sure to print 4x copies of the pipe.stl to make the whole length of the staff.

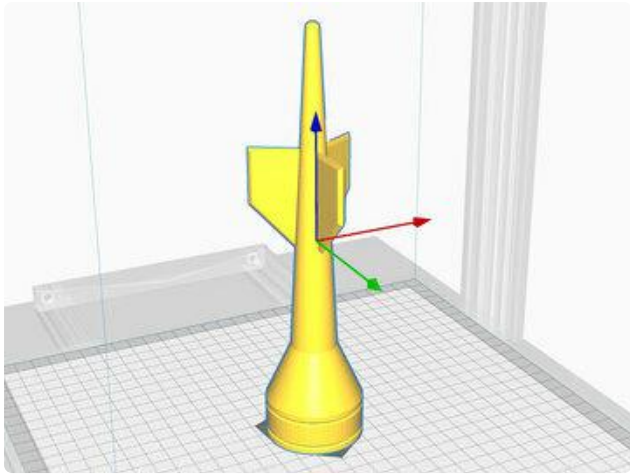


## Slicing Parts

No supports are required. Slice with setting for PLA material.

The parts were sliced using CURA using the slice settings below.

PLA filament 220c extruder  
0.2 layer height  
10% gyroid infill  
60mm/s print speed  
60c heated bed



## Build Volume

The parts require a 3D printer with a minimum build volume.

100mm (X) x 100mm (Y) x 225mm (Z)



## Silver/Gray Parts

The following parts are printed in silver or gray colored filament.

pipe-coupler.stl  
pipe-fins-collar.stl  
pipe-fins-bottom.stl  
pipe-fins-top.stl  
pipe-fins-tip.stl  
pommel.stl



## Brown/Red Parts

The following parts are printed in red or brown colored filaments

4x pipe.stl  
handle.stl