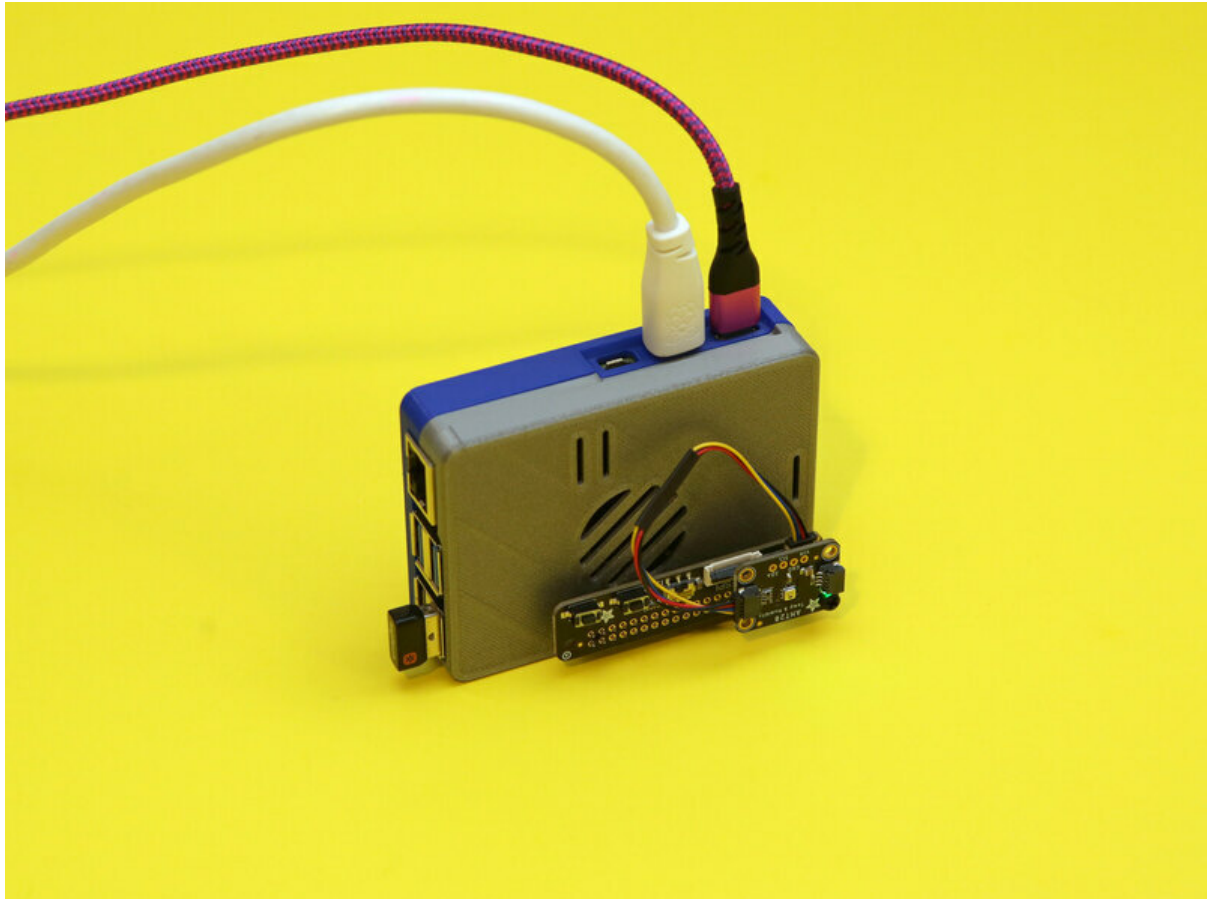




# Raspberry Pi 5 3D Printed Case

Created by Ruiz Brothers



<https://learn.adafruit.com/pi-5-case>

Last updated on 2024-06-03 03:56:58 PM EDT

# Table of Contents

[Overview](#) 3

---

- [Enclosure](#)
- [Parts](#)

[CAD Files](#) 5

---

- [3D Printed Parts](#)
- [CAD Assembly](#)
- [Build Volume](#)

---

# Overview



## Enclosure

3D print this simple two-piece enclosure to house a Raspberry Pi 5. It's designed to fit with a Pi and the official active cooling fan. It features openings for the USB-C, mini HDMI, USB-A and ethernet ports. It snap fits together and there are no screws necessary!

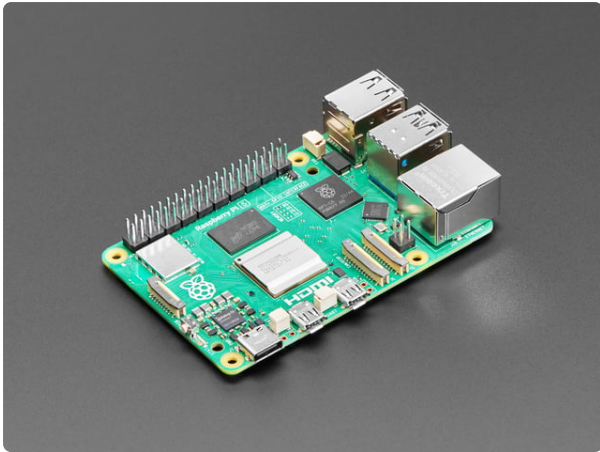
## Parts



### [Raspberry Pi 5 - 8 GB RAM](https://www.adafruit.com/product/5813)

The Raspberry Pi 5 is the newest Raspberry Pi computer, and the Pi Foundation knows you can always make a good thing better! And what could make the Pi 5 better than...

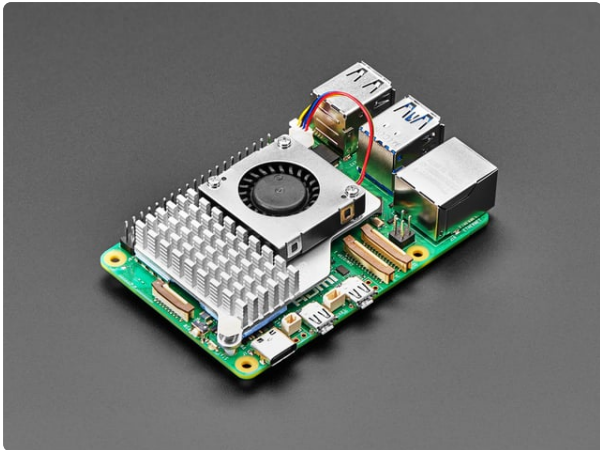
<https://www.adafruit.com/product/5813>



### Raspberry Pi 5 - 4 GB RAM

The Raspberry Pi 5 is the newest Raspberry Pi computer, and the Pi Foundation knows you can always make a good thing better! And what could make the Pi 5 better than the...

<https://www.adafruit.com/product/5812>



### Official Raspberry Pi 5 Active Cooler

The Raspberry Pi 5 Active Cooler is compatible with the Raspberry Pi 5 and the

<https://www.adafruit.com/product/5815>



### Official Raspberry Pi 27W PD Power Supply 5.1V 5A with USB C

The official Raspberry Pi PD USB-C power supply is here! Superfast with just the right amount of cable length to get your Pi 5 projects up and running! With true Power Delivery...

<https://www.adafruit.com/product/5814>



### Official Raspberry Pi Micro HDMI to HDMI Cable

We're now stocking a very fancy Official Raspberry Pi Micro HDMI to HDMI cable with overmolding and Pi logo! It has nice molded grips for easy installation, and is...

<https://www.adafruit.com/product/4302>

SD/MicroSD Memory Card - 16GB Class 10 - Adapter  
Included  
**1 x 8GB Micro SD Card**  
SD/MicroSD Memory Card - 16GB Class 10 - Adapter  
Included

<https://www.adafruit.com/product/2693>

---

Optional for header expansion:

**1 x Stacking Header for Pi**  
2x20 Extra Tall Header

<https://www.adafruit.com/product/1979>

---

## CAD Files



### 3D Printed Parts

STL files for 3D printing are oriented to print "as-is" on FDM style machines. Parts are designed to 3D print without any support material using PLA filament. Original design source files may be downloaded using the links below.

[Download CAD source](#)

<https://adafru.it/19bb>

[Download STLs.zip](#)

<https://adafru.it/19bc>



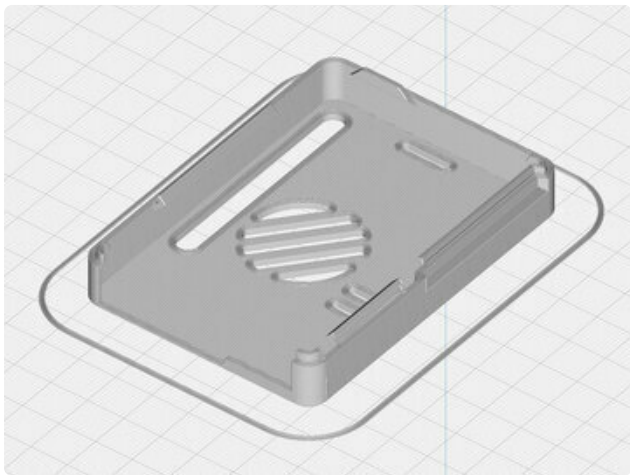


## CAD Assembly

The active cooling fan is placed on top of the Pi and is secured using the dedicated mounting holes.

The Pi 5 is placed onto the built-in standoffs on the bottom half of the enclosure with the various ports oriented with the cutouts.

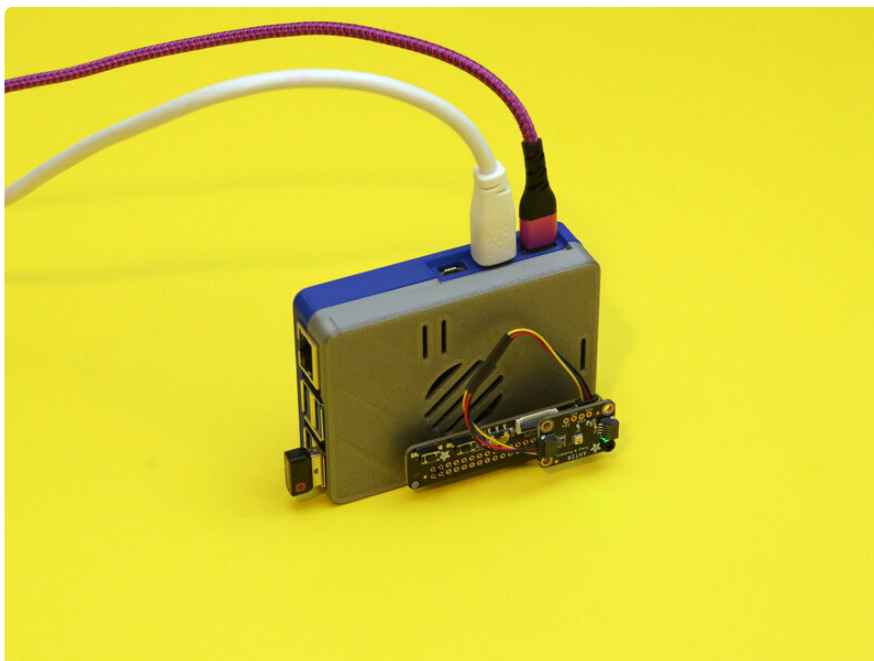
The top half of the enclosure snap fits over the bottom half oriented with the various ports.



## Build Volume

The parts require a 3D printer with a minimum build volume.

90mm (X) x 66mm (Y) x 20mm (Z)



The GPIO header is accessible for accessories such as the [Adafruit EYESPI Pi Beret](http://adafru.it/5783) (<http://adafru.it/5783>) and an [AHT20 STEMMA QT](http://adafru.it/4566) (<http://adafru.it/4566>) temperature sensor with the help of [extra tall stacking headers](http://adafru.it/1979) (<http://adafru.it/1979>).



The bottom half of the case features a series of slots that can be used as mounting areas and doubles as ventilation.