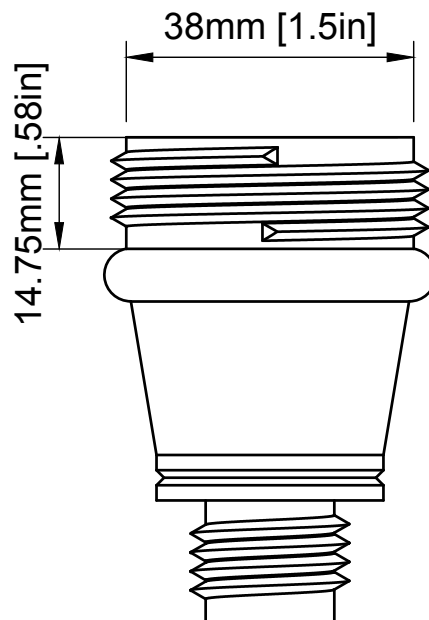
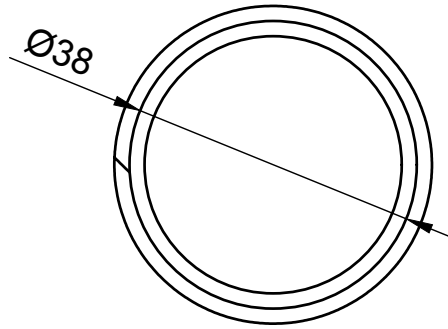


Guard Thread
 38mm Diameter
 2mm Section Size
 2.5mm Pitch



Dept.	Technical reference	Created by Noe Ruiz	10/25/21	Approved by	
		Document type	Document status		
		Title TVA Baton	DWG No.		
		Rev.	Date of issue	Sheet 1/1	