

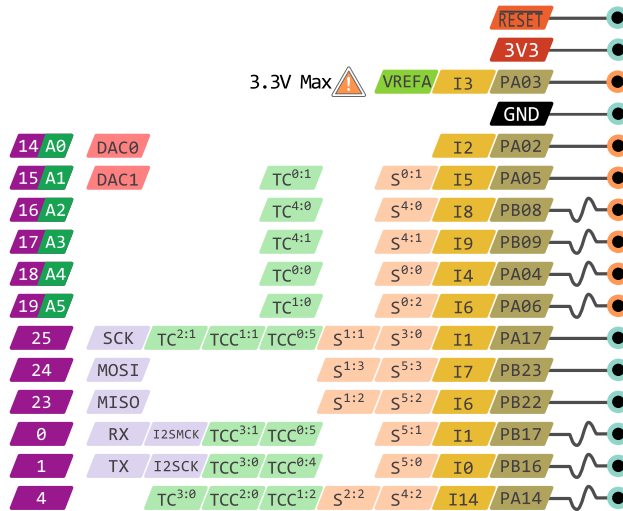
feather

M4 Express

PINOUT

- Power
- GND
- Port Pin
- Interrupt
- Serial^{[SERCOM]:[PAD]}
- Timer^{[TIMER]:[PAD]}
- Pin Function
- Analog Output
- Control Pin
- IDE

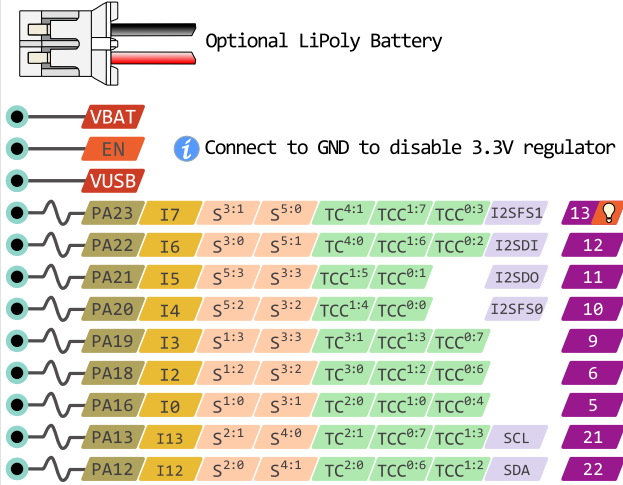
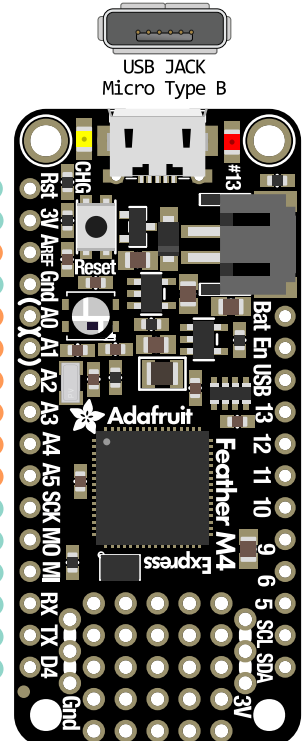
- PWM Pin
- Power Supply



- ABSOLUTE** Max per pin 10mA, 7mA Recommended
- ABSOLUTE** Max 130mA for the entire package

On-Board Components

QSPI FLASH Memory						
PB10	I10	S ^{4:2}	TC ^{5:0}	TCC ^{0:4}	TCC ^{1:0} Q_SCK	34
PB11	I11	S ^{4:3}	TC ^{5:1}	TCC ^{0:5}	TCC ^{1:1} Q_CS	35
PA08	NMI	S ^{0:0}	S ^{2:1}	TC ^{0:0}	TCC ^{0:0} TCC ^{1:4} Q_I00	36
PA09	I9	S ^{0:1}	S ^{2:0}	TC ^{0:1}	TCC ^{0:1} TCC ^{1:5} Q_I01	37
PA10	I10	S ^{0:2}	S ^{2:2}	TC ^{1:0}	TCC ^{0:2} TCC ^{1:6} Q_I02	38
PA11	I11	S ^{0:3}	S ^{2:3}	TC ^{1:1}	TCC ^{0:3} TCC ^{1:7} Q_I03	39
Battery Voltage Divider						
PB01	I1	S ^{5:3}	TC ^{7:1}			20 A6
Built-In NeoPixel						
PB03	I3	S ^{5:1}	TC ^{6:1}			8



- VUSB** Connected to 5V USB Port
ABSOLUTE Max 500mA
- VBAT** Connected to Positive Terminal of LiPo Battery
- 3V3** 3.3V output from regulator
ABSOLUTE Max 400mA



<https://www.adafruit.com/product/3857>

